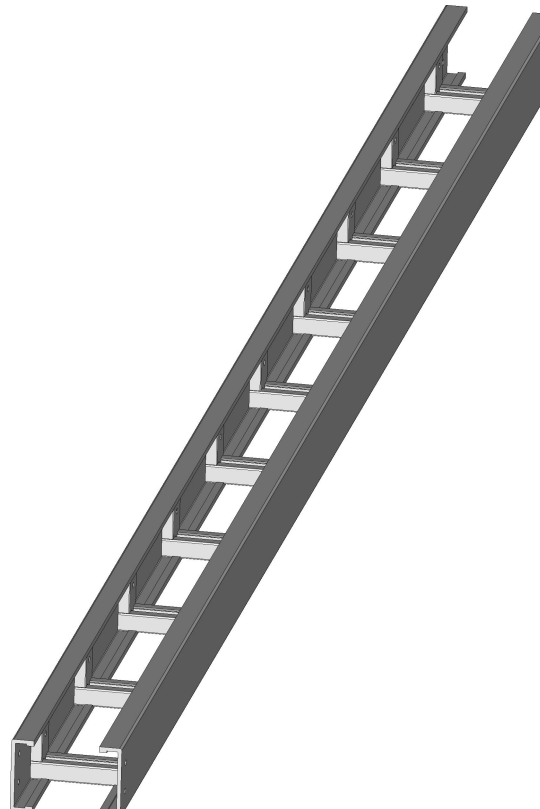
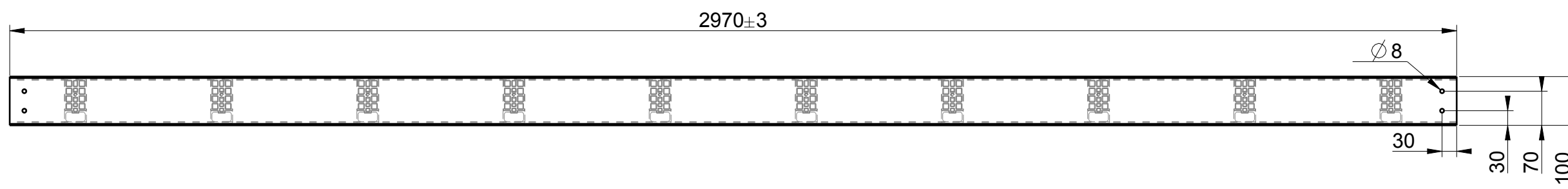
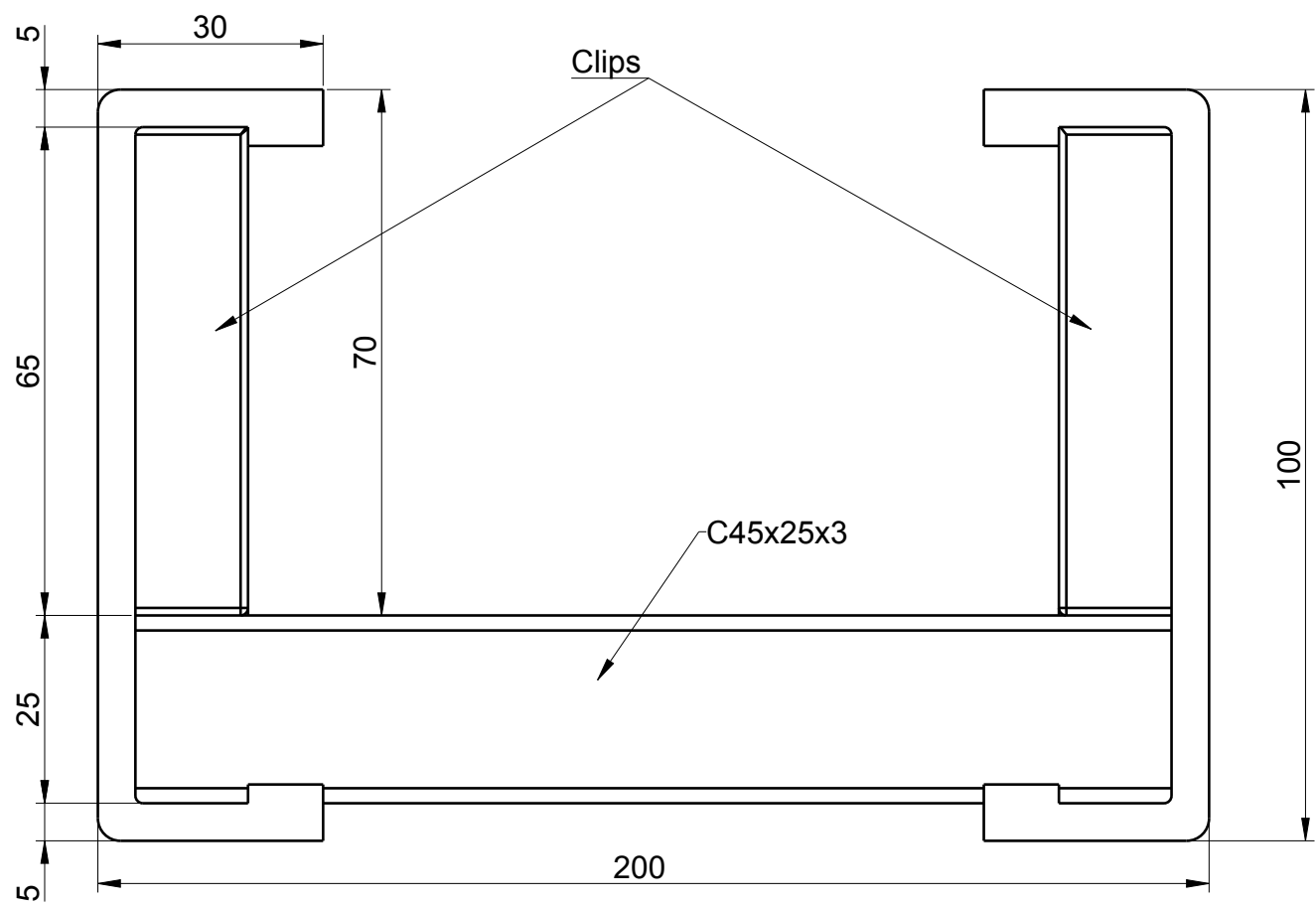
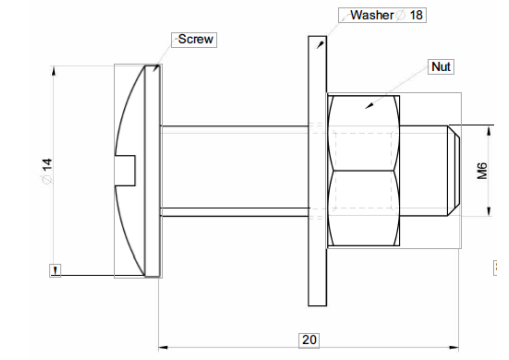
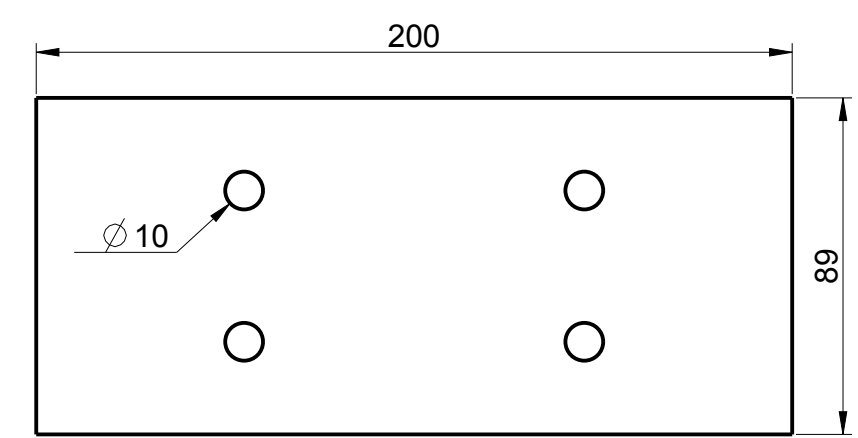


SCALE 0,1




SCALE 0,1



SCALE 1

UL200100L3: Perforated rung

D	Echelle	See on drawing
C	Scale	
B	Format	A3
A	10.04.14	Creation plan / Initial drawing	Franck S.	Deprez A.	Matiere	G.R.P
Revision	Date	Description	Dessine par	Verifie par	Tolerances generales	+/-
Revision	Date	Comments	Done by	Checked by	General tolerances	
 Ebo Systems		Designation / comments Cable ladder Ladder height: 100 mm	Code Projet / Project Code		Feuille	Revision
Reference plan / Drawing reference					Sheet	Revision
ULXXX100L3_EX					1	A1