



Main

| | |
|-------------------------------|--|
| Range of product | Zelio Relay |
| Product or component type | Socket |
| Contact terminal arrangement | Separate |
| Product compatibility | Plug-in relay RSL with 1 C/O contact at 12 V DC Plug-in relay RSL with 1 C/O contact at 24 V DC |
| Shape of pin | Flat |
| Device short name | RSLZ |
| Device presentation | Basic element |
| Sale per indivisible quantity | 10 |
| Switching voltage | 12 V AC/DC 24 V AC/DC |

Complementary

| | |
|--|---|
| [I _{th}] conventional free air thermal current | 6 A |
| [U _e] rated operational voltage | < 300 V AC |
| Clamping force | 10...40 N |
| Fixing mode | Plastic compression spring (35 mm symmetrical DIN rail) |
| Marking | CE |
| CAD overall width | 6.2 mm |
| CAD overall height | 78.6 mm |
| CAD overall depth | 101 mm |
| Product weight | 0.023 kg |
| Rated operational voltage limits | 21.6...28.8 V 11.4...14.4 V |
| Group of product | RSL_SPRING_TERS_12-24 |
| Compatibility code | RSLZ |

Environment

| | |
|---------------------------------------|--|
| Connections - terminals | Spring terminals, 1 x 0.2...1 x 1.5 mm ² (AWG 24...AWG 16) flexible with cable end Spring terminals, 1 x 0.2...1 x 1.5 mm ² (AWG 24...AWG 16) solid without cable end |
| Standards | UL 508 IEC 61984 |
| Product certifications | GOST CSA |
| Ambient air temperature for storage | -40...85 °C |
| Ambient air temperature for operation | -40...70 °C |
| IP degree of protection | IP20 conforming to EN/IEC 60529 |
| Dielectric strength | 2500 V |

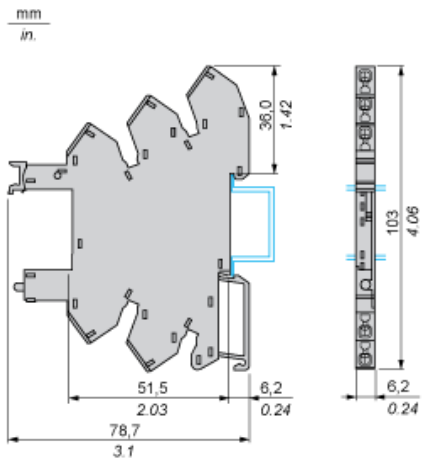
Offer Sustainability

| | |
|----------------------------|---|
| Sustainable offer status | Green Premium product |
| REACH free of SVHC | Yes |
| EU RoHS Directive | Pro-active compliance (Product out of EU RoHS legal scope) EU RoHS Declaration |
| Toxic heavy metal free | Yes |
| Mercury free | Yes |
| RoHS exemption information | Yes |
| China RoHS Regulation | China RoHS Declaration |
| Environmental Disclosure | Product Environmental Profile |
| Circularity Profile | End Of Life Information |
| WEEE | The product must be disposed on European Union markets following specific waste collection and never end up in rubbish bins |

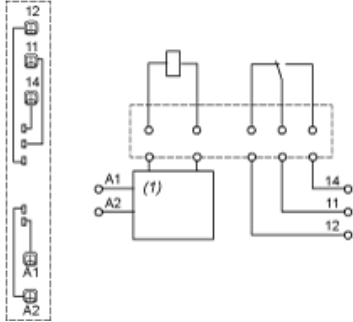
Contractual warranty

| | |
|----------|-----------|
| Warranty | 18 months |
|----------|-----------|

Dimensions



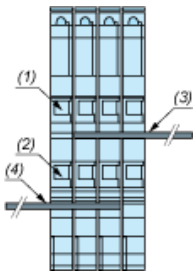
Wiring Diagram



(1) Protection circuit

Example of RSLZ2 Bus Jumper Mounting on Sockets

Side View



- (1) A1
- (2) A2
- (3) Bus jumper polarity A1
- (4) Bus jumper polarity A2