

Product data sheet

Characteristics

XBH1AA0G4

Digital panel meter, plastic, black, Ø22, 4 digit green LED display, 4...20 mA input



Main

Range of product	Harmony XB5
Product or component type	Display module
Display digits	4 digit(s) - 14 mm in height

Complementary

Display type	7 segments LED
Display colour	Green
Display projection	-999...9999
Accuracy	+/- 0.15 % of the measuring range + 1 digit
Solid state output type	2 x power MOSFET
Discrete output voltage	30 V DC
Discrete output current	0.5 A
Brightness	Fixed
Analogue input range	4...20 mA DC
Maximum voltage drop	6 V
Temperature drift	50 ppm/°C
Mounting diameter	22.5 mm
Connections - terminals	Spring terminals, clamping capacity: 1 x 0.2...1 mm ² (AWG 24...AWG 17)
Housing material	Plastic
Flame retardance	UL94-V1
Tightening torque	1.3 N.m +/- 0.2 N.m 11.5 lb.in +/- 1.8 lb.in
Width	51.5 mm
Height	29.5 mm
Depth	78.2 mm
Net weight	0.032 kg

Environment

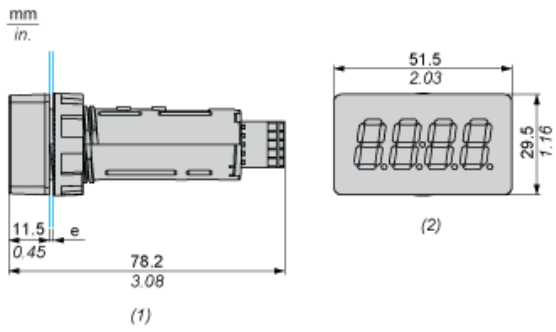
Ambient air temperature for operation	-20...60 °C
Ambient air temperature for storage	-20...85 °C

Vibration resistance	5 gn (f= 2...500 Hz) conforming to IEC 60068-2-6
IP degree of protection	IP65 (front panel) conforming to IEC 60529
Standards	EN 61326-1

Packing Units

Package 1 Weight	32.000 g
Package 1 Height	2.850 cm
Package 1 width	5.050 cm
Package 1 Length	6.600 cm

Dimensions



- e : Clamping thickness 1 to 6 mm
- (1) : Side view
- (2) : Front view

Mounting and Clearance

Panel Cut-out for Digital Display

