



MASTER LEDspot LV

MASTER LED 7-50W 927 MR16 36D Dim

Delivering an intense accent beam, the MASTER LEDspot LV is an ideal retrofit solution for spot-lighting. The MASTER LEDspot LV is designed to replace halogen or incandescent spots. It achieves natural colours, enables cosy and comfortable ambience for residential and hospitality usage, and emphasises the beauty of merchandise in retail. A new smaller housing provides perfect fitting with the majority of luminaires on the market with a MR16 GU 5.3 holder. It not only employs Philips's patented solution to guarantee the broadest possible compatibility with standard 12 V halogen electronic transformers, it also delivers high beam intensity which is equivalent to halogen MR16 spots. The dimming function enables users to create the desired atmosphere and it works with broad selection of dimmers. Its high SDCM ensures stricter colour consistency, that is maintained over product life. The MASTER LEDspot LV delivers huge energy savings and minimises maintenance costs without any compromise on light quality and lifetime, enabling residential and business owners to achieve a return on their investment within a short time period.

Product data

General Information	
Cap base	GU5.3 [GU5.3]
Nominal lifetime (nom.)	40000 h
Switching cycle	50000X
Technical type	7-50W
Light Technical	
Colour Code	927
Beam Angle (Nom)	36 °
Light distribution	36D [Medium beam]
Lamp Luminous Flux 25°C EL (Nom)	420 lm
Lamp Luminous Flux (Nom)	420 lm
Luminous intensity (nom.)	1150 cd

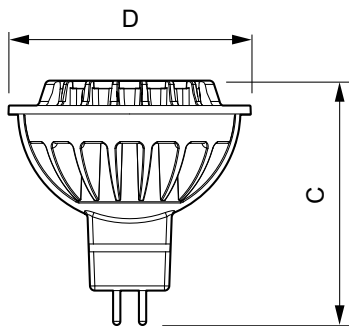
Colour Designation	Warm white (WW)
Rated beam angle	36 °
Colour Temperature, horizontal (Nom)	2700 K
Lamp Luminous Efficacy EM (Nom)	57.14 lm/W
Colour consistency	<6
Colour Rendering Index,horiz (Nom)	90
LLMF at end of nominal lifetime (nom.)	70 %
Luminous Flux in 90° Cone (Rated)	400 lm
Operating and Electrical	
Power (Rated) (Nom)	7 W
Lamp current (nom.)	720 mA
Starting time (nom.)	0.5 s

MASTER LEDspot LV

Warm-up time to 60% light (nom.)	1 s
Power factor (nom.)	0.7
Voltage (Nom)	12 V
Temperature	
T-Case maximum (nom.)	92 °C
Controls and Dimming	
Dimmable	Yes
Approval and Application	
Energy efficiency label (EEL)	A
Energy-saving product	Yes
Suitable for accent lighting	Yes

Energy Consumption kWh/1000 h	8 kWh
Product Data	
Full product code	871869667332400
Order product name	MASTER LED 7-50W 927 MR16 36D Dim
EAN/UPC – product	8718696673324
Order code	929001153138
Numerator – quantity per pack	1
Numerator – packs per outer box	10
Material no. (12NC)	929001153138
Net weight (piece)	0.045 kg

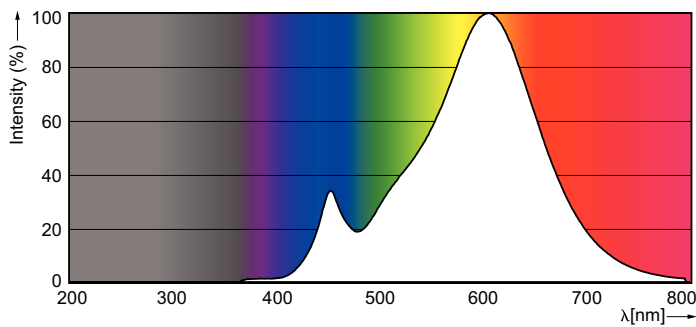
Dimensional drawing



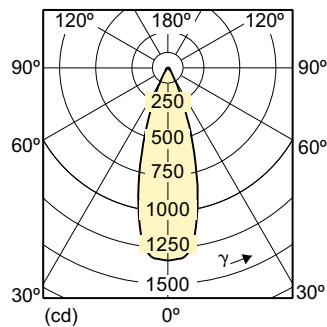
LED D 7-35W 827 MR16 36D

Product	D	C
MASTER LED 7-50W 927 MR16 36D Dim	51 mm	51 mm

Photometric data



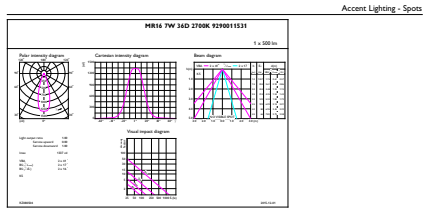
LEDspot 2700K 36D



LEDspot 7-35W MR16 GU5.3 2700K 420lm 36D

MASTER LEDspot LV

Photometric data



LEDspot 7-35W MR16 GU5.3 2700K 420lm 36D

