



MASTER VALUE LEDspot MV

MAS LEDspotMV D 5.4-50W GU10 927 25D

Delivering a warm, halogen-like accent beam, MASTER VALUE LEDspot MV is a perfect for spot lighting. Thanks to its high CRI, it realizes more natural colors, enabling cozy and comfortable ambience for residential, hospitality and emphasize the beauty of merchandise in retail. These LEDspots have the familiar look and feel of glass spots, keeping the classic beauty of glass spots and adding the strong performance from LED technology. The dimming function enables to create the desired atmosphere and it works with broad selection of dimmers.

Product data

General Information	
Cap-Base	GU10 [GU10]
Nominal Lifetime (Nom)	50000 h
Switching Cycle	50000X
Technical Type	5.4-50W
Light Technical	
Color Code	927
Beam Angle (Nom)	25 °
Light Distribution	Medium beam 25°
Luminous Flux (Nom)	395 lm
Luminous Flux (Rated) (Nom)	395 lm
Luminous Intensity (Nom)	1350 cd
Color Designation	Warm White (WW)
Rated Beam Angle	25 °
Correlated Color Temperature (Nom)	2700 K
Luminous Efficacy (rated) (Nom)	66.67 lm/W
Color Consistency	<6

Color Rendering Index (Nom)	90
LLMF At End Of Nominal Lifetime (Nom)	70 %
Luminous Flux in 90° Cone (Rated)	360 lm
Operating and Electrical	
Input Frequency	50 to 60 Hz
Power (Rated) (Nom)	5.4 W
Lamp Current (Nom)	28 mA
Starting Time (Nom)	0.5 s
Warm Up Time to 60% Light (Nom)	instant full light
Power Factor (Nom)	0.85
Voltage (Nom)	220-240 V
Temperature	
T-Case Maximum (Nom)	91 °C

MASTER VALUE LEDspot MV

Controls and Dimming

Dimmable	Yes
----------	-----

Approval and Application

Energy Efficiency Label (EEL)	A+
Suitable For Accent Lighting	Yes
Energy Consumption kWh/1000 h	6 kWh

Product Data

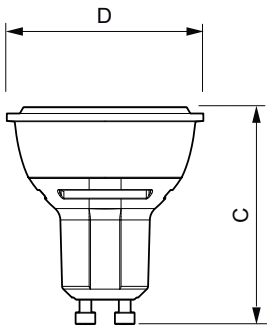
Full product code	871869645715300
-------------------	-----------------

Order product name	MAS LEDspotMV D 5.4-50W GU10 927 25D
EAN/UPC - Product	8718696457153
Order code	929001138602
Numerator - Quantity Per Pack	1
Numerator - Packs per outer box	10
Material Nr. (12NC)	929001138602
Net Weight (Piece)	0.036 kg

Warnings and Safety

- Operating temperature range is between -20° C and 45° C ambient
- Only to apply in dry or damp locations and most of open fixtures with lamp-holders that offer sufficient space (10 mm free air space)
- Not intended for use with emergency light fixtures or exit lights

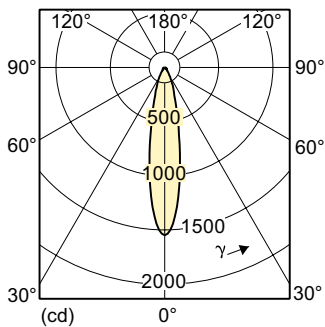
Dimensional drawing



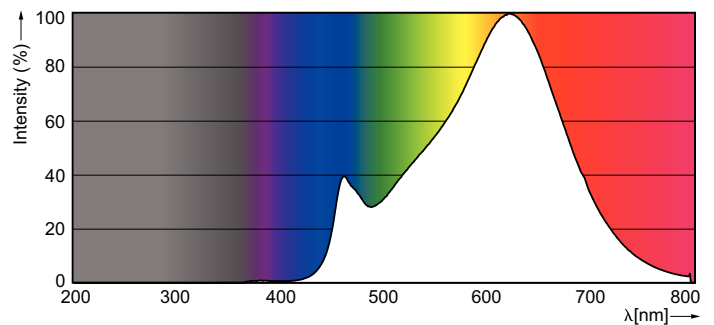
LED D 5.4-50W GU10 927 25D

Product	D	C
MAS LEDspotMV D 5.4-50W GU10 927 25D	50 mm	57 mm

Photometric data



5.4-50W GU10 /927 25D



GU10 /927

MASTER VALUE LEDspot MV

