

### Main

|                           |   |
|---------------------------|---|
| Range of product          | Modicon X80   |
| Product or component type | Power supply module   |
| Backplane compatibility   | Not compatible with BMEXBP..02  |
| Primary voltage           | 24...48 V isolated  |
| Supply circuit type       | DC  |
| Secondary power           | 15 W 3.3 V DC I/O module logic power supply<br>31.2 W 24 V DC I/O module power supply and processor |

### Complementary

|  |   |
|--|---|
| Primary voltage limit                  | 18...62.4 V   |
| Input current                          | 0.83 A 48 V<br>1.65 A 24 V  |
| Inrush current                         | 30 A 24 V<br>60 A 48 V  |
| I <sup>2</sup> t on activation         | 1 A <sup>2</sup> .s 24 V<br>3 A <sup>2</sup> .s 48 V  |
| It on activation                       | 0.2 A.s 24 V<br>0.3 A.s 48 V  |
| Protection type                        | Internal fuse not accessible for primary circuit<br>Overload protection for secondary circuit, 24 V sensor power supply<br>Overvoltage protection for secondary circuit, 24 V sensor power supply<br>Short-circuit protection for secondary circuit, 24 V sensor power supply |
| Current at secondary voltage           | 1.3 A 24 V DC I/O module power supply and processor<br>4.5 A 3.3 V DC I/O module logic power supply   |
| Maximum power dissipation in W         | 8.5 W   |
| Status LED                             | 1 LED (green) rack voltage OK:  |
| Control type                           | RESET push-button cold restart  |
| Electrical connection                  | 1 connector 2 pin(s) alarm relay<br>1 connector 5 pin(s) line supply, protective earth  |
| Maximum cable distance between devices | 10 m power supply cable copper 1.5 mm <sup>2</sup><br>15 m power supply cable copper 2.5 mm <sup>2</sup>  |
| Insulation resistance                  | >= 10 MOhm primary/ground   |

>= 10 MOhm primary/secondary

|            |         |
|------------|---------|
| Net weight | 0.34 kg |
|------------|---------|

## Environment

|                                       |   |
|---------------------------------------|---|
| Immunity to microbreaks               | 1 ms  |
| Dielectric strength                   | 1500 V primary/ground<br>1500 V primary/secondary   |
| Vibration resistance                  | 3 gn  |
| Shock resistance                      | 30 gn   |
| IP degree of protection               | IP20  |
| Directives                            | 2014/35/EU - low voltage directive<br>2014/30/EU - electromagnetic compatibility<br>2012/19/EU - WEEE directive |
| Product certifications                | EAC<br>RCM<br>UL<br>CSA<br>CE<br>Merchant Navy  |
| Standards                             | EN 61131-2<br>EN 61000-6-4<br>EN 61000-6-2<br>EN 61010-2-201  |
| Ambient air temperature for storage   | -40...85 °C   |
| Ambient air temperature for operation | 0...60 °C   |
| Relative humidity                     | 5...95 % at 55 °C without condensation  |
| Protective treatment                  | TC  |
| Operating altitude                    | 0...2000 m<br>2000...5000 m with derating factor  |

## Offer Sustainability

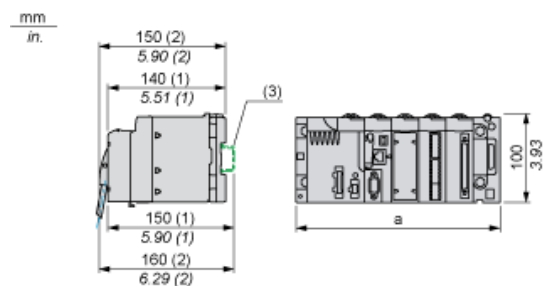
|                            |   |
|----------------------------|---|
| Sustainable offer status   | Green Premium product   |
| REACH Regulation           | <a href="#">REACH Declaration</a>   |
| EU RoHS Directive          | Pro-active compliance (Product out of EU RoHS legal scope)<br><a href="#">EU RoHS Declaration</a>                           |
| Mercury free               | Yes   |
| RoHS exemption information | <a href="#">Yes</a>   |
| China RoHS Regulation      | <a href="#">China RoHS declaration</a>  |
| Environmental Disclosure   | <a href="#">Product Environmental Profile</a>   |
| Circularity Profile        | <a href="#">End of Life Information</a>   |
| WEEE                       | The product must be disposed on European Union markets following specific waste collection and never end up in rubbish bins |

## Contractual warranty

|          |           |
|----------|-----------|
| Warranty | 18 months |
|----------|-----------|

Modules Mounted on Racks

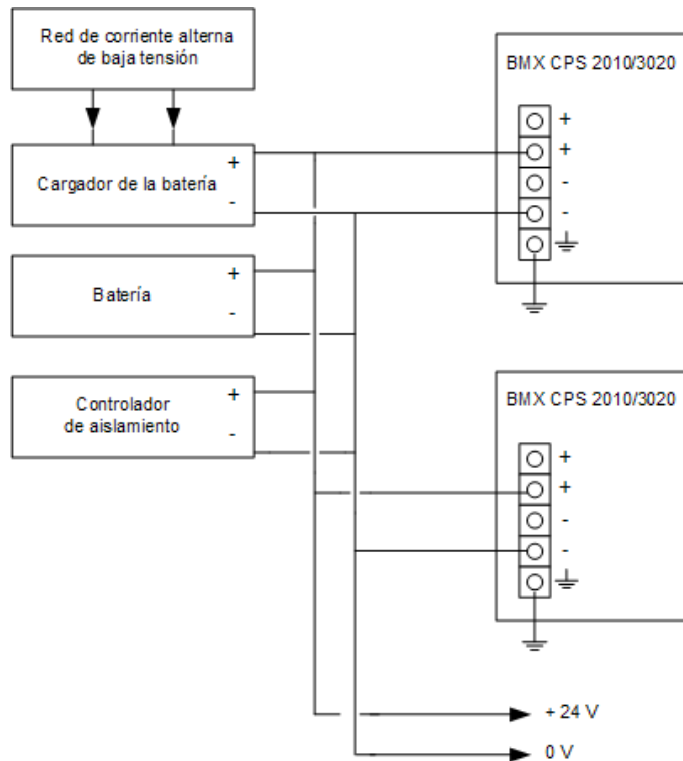
Dimensions



- (1) With removable terminal block (cage, screw or spring).  
 (2) With FCN connector.  
 (3) On AM1 ED rail: 35 mm wide, 15 mm deep. Only possible with BMXXBP0400/0400H/0600/0600H/0800/0800H rack.

| Rack references            | a in mm | a in in. |
|----------------------------|---------|----------|
| BMXXBP0400 and BMXXBP0400H | 242.4   | 09.54    |
| BMXXBP0600 and BMXXBP0600H | 307.6   | 12.11    |
| BMXXBP0800 and BMXXBP0800H | 372.8   | 14.68    |
| BMXXBP1200 and BMXXBP1200H | 503.2   | 19.81    |

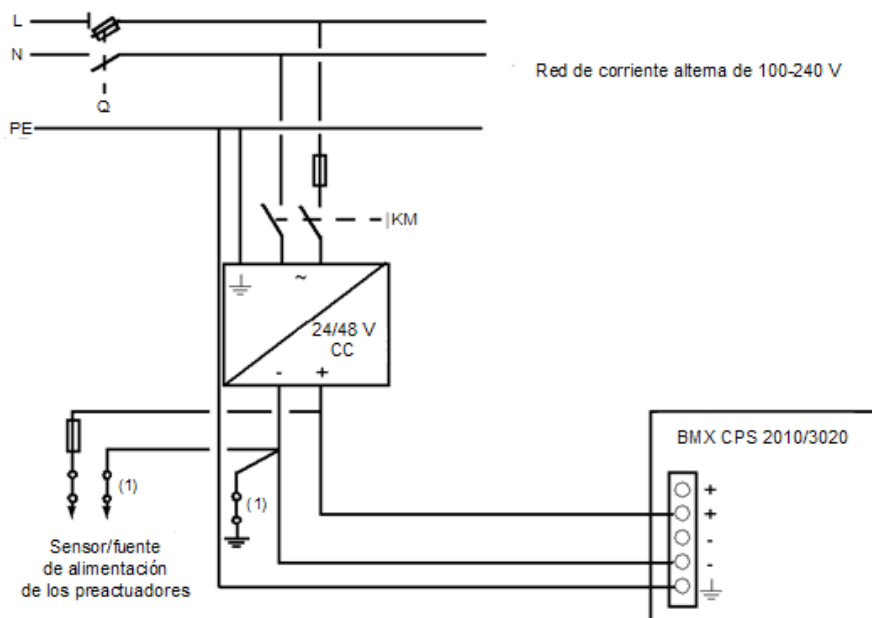
## Connection of Direct Current Power Supply Modules to a 24 Vdc or 48 Vdc Floating Direct Current Network



Red flotante de 24 V CC para la alimentación de sensores, actuadores y módulos de entrada/salida.

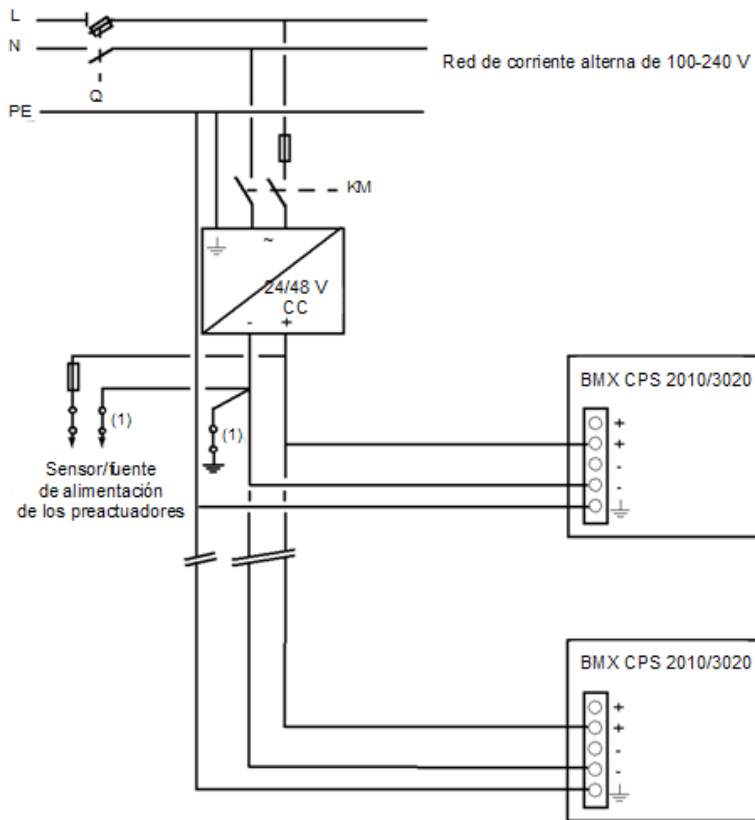
## Connection of Direct Current Power Supply Modules to an Alternating Current Network

### Connection of a Single Rack PLC Station



- Q General isolator
- KM Line contactor or circuit breaker
- (1) Insulation connector bar for locating grounding errors

## Connection of a Multi-Rack PLC Station



- Q General isolator
- KM Line contactor or circuit breaker
- (1) Insulation connector bar for locating grounding errors